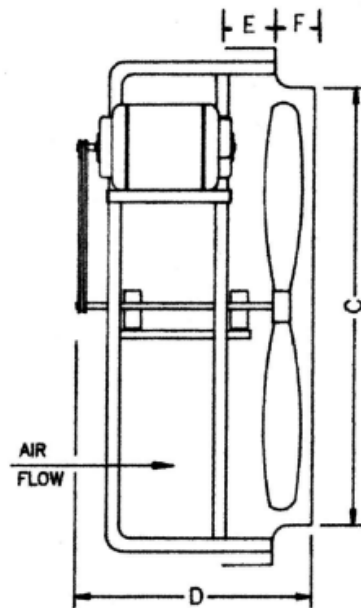
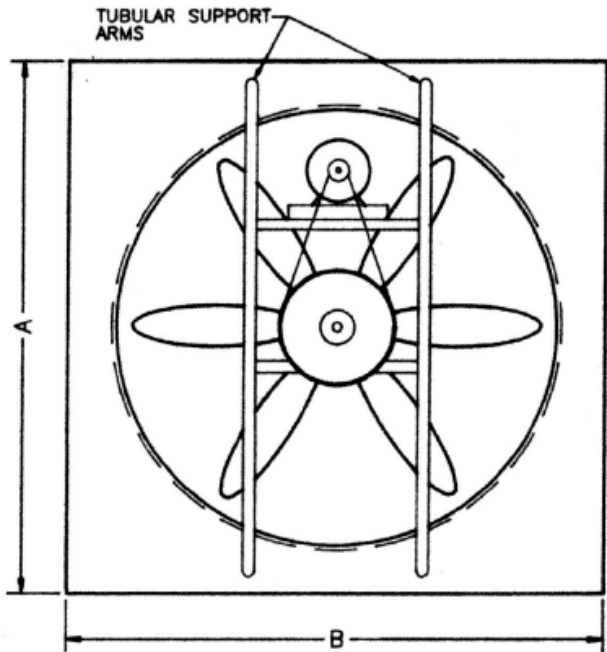


# MODEL ABP PANEL FAN BELT DRIVE




NOTES: (1) NUMBER OF SUPPORTS VARIES  
W/ SIZE & HORSEPOWER

D - DIM., VARIES WITH MOTOR SIZE

Model Size	A	B	C	D	E	F
ABP-24	30	30	25 1/2	20	2 3/4	3 1/2
ABP-30	36	36	31 1/2	20	2 3/4	3 1/2
ABP-36	42	42	37 1/2	22	2 3/4	4
ABP-42	48	48	44	24	2 3/4	4 1/2
ABP-48	54	54	50 1/2	25	2 3/4	4 1/2
ABP-54	60	60	56 1/2	26	2 3/4	4 3/4
ABP-60	66	66	62 1/2	28	2 3/4	5

DIMENSIONS SUBJECT TO CHANGE WITHOUT NOTICE.  
DRAWING NOT TO BE USED FOR CONSTRUCTION.

		 Better Airflow By Design	
		TITLE: ABP PANEL FAN BELT DRIVE SUBMITTAL DRAWING	
REV	DATE	BY	JWA
	14 DEC 2004		APB_Submittal.dft