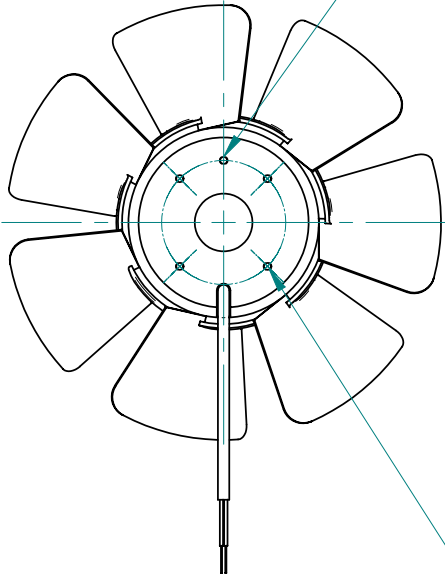
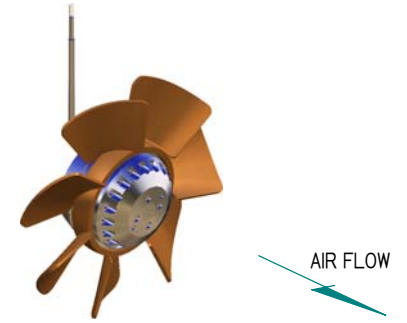
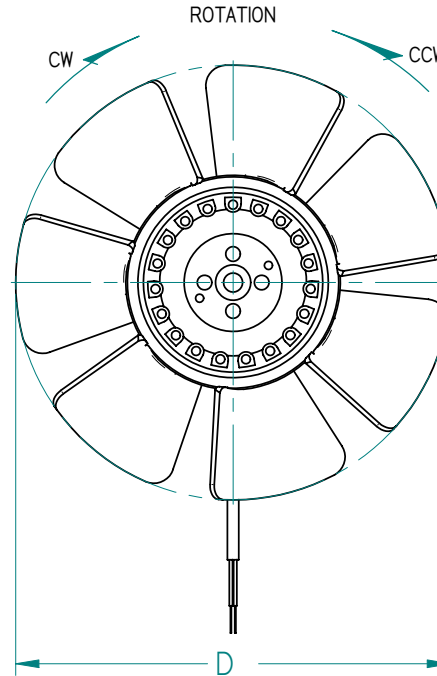
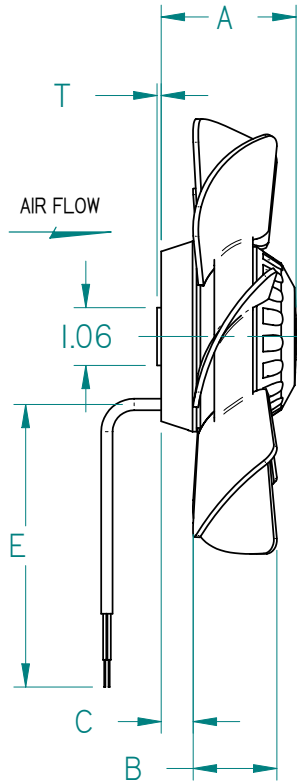


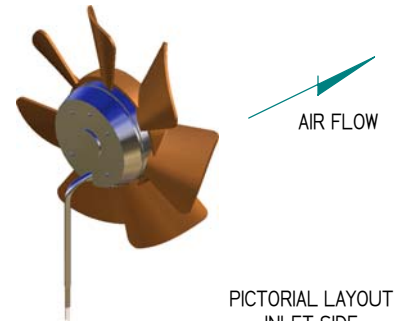
PROVISION FOR M4 GROUND SCREW
MAXIMUM LENGTH 5 mm DEEP



M4 THREADED MOUNTING HOLES
4 HOLES STAGGERED ABOUT
CENTRELINES & EQUALLY SPACED
ABOUT A 2.28 BOLT CIRCLE DIA.
MAX. BOLT LENGTH 5mm

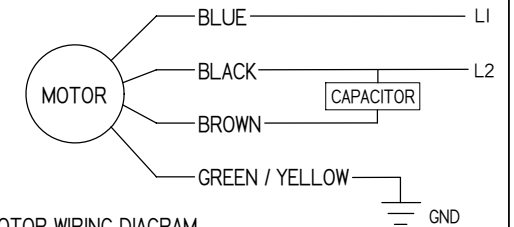


PICTORIAL LAYOUT
OUTLET SIDE




PICTORIAL LAYOUT
INLET SIDE

| IMPELLER MODEL | POWER SUPPLY | DIMENSIONS IN INCHES | | | | | | IMPELLER ROTATION | CAPACITOR MODEL |
|-------------------|-----------------|----------------------|------|------|-------|-------|------|----------------------|--------------------|
| | | A | B | C | D | E | T | | |
| R0-AMI170-2-11 | 115/1/50-60 | 2.52 | 1.50 | 0.51 | 6.65 | 19.00 | 0.06 | CCW | M0-CAP06M-440V |
| R0-AMI200-2-11 | 115/1/50-60 | 2.44 | 1.54 | 0.59 | 7.72 | 19.00 | 0.06 | CCW | M0-CAP06M-440V |
| R0-AMI250-2-11 | 115/1/50-60 | 2.85 | 1.65 | 0.98 | 9.74 | 19.00 | 0.06 | CW | R0-CAP12M-440V |
| R0-AMI300-2-11 | 115/1/50-60 | 3.78 | 1.33 | 1.08 | 11.65 | 19.00 | 0.06 | CCW | R0-CAP20M-250V |
| R0-AMI170-2-12 | 230/1/50-60 | 2.44 | 1.50 | 0.39 | 6.65 | 19.00 | 0.06 | CCW | M0-CAP02M-440V |
| R0-AMI200-2-12 | 230/1/50-60 | 2.44 | 1.54 | 0.59 | 7.72 | 19.00 | 0.06 | CCW | M0-CAP02M-440V |
| R0-AMI250-2-12 | 230/1/50-60 | 2.85 | 1.65 | 0.79 | 9.74 | 19.00 | 0.06 | CW | R0-CAP04M-500V |
| R0-AMI300-2-12 | 230/1/50-60 | 3.78 | 1.33 | 1.08 | 11.65 | 19.00 | 0.06 | CCW | R0-CAP06M-440V |

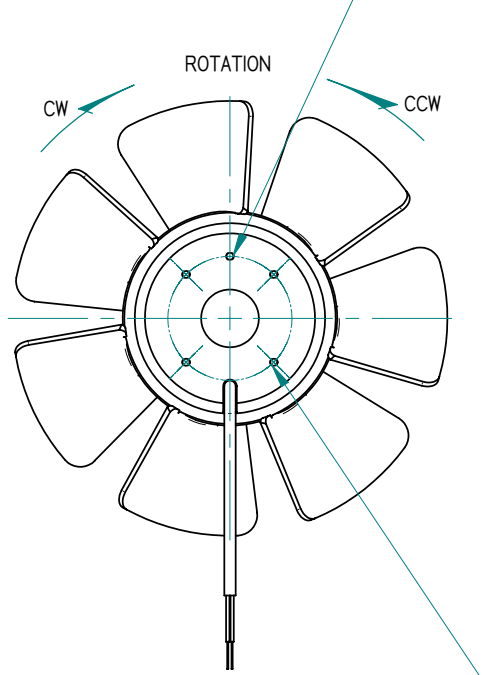


MOTOR WIRING DIAGRAM

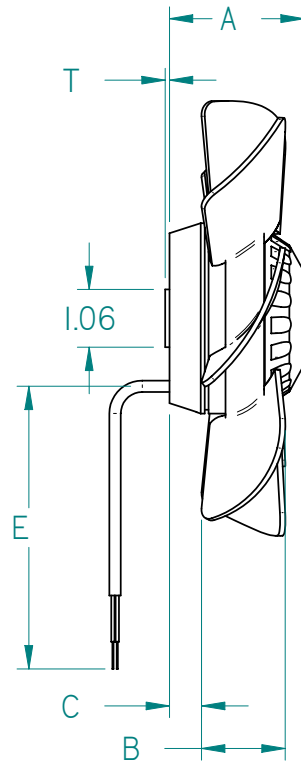
DIMENSIONS SUBJECT TO CHANGE WITHOUT NOTICE.
DRAWING NOT TO BE USED FOR CONSTRUCTION

| | | | |
|---|--|---|--|
| 03 13 FEB 2008 JEE 02 21 JUNE 2007 JWA 01 05 MARCH 2007 JEE | |  NON-CASED MOTORIZED AXIAL IMPELLER AMI 000-00-100 STANDARD FLOW SUBMITTAL | |
| | | | |

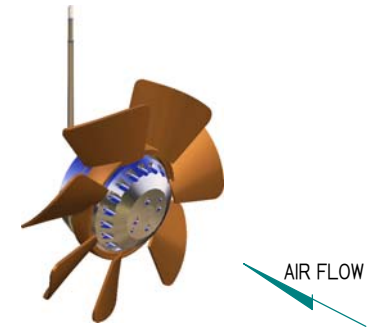
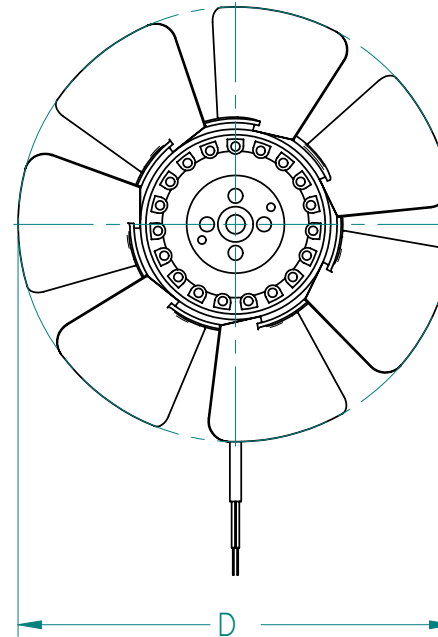
PROVISION FOR M4 GROUND SCREW
MAXIMUM LENGTH 5 mm DEEP



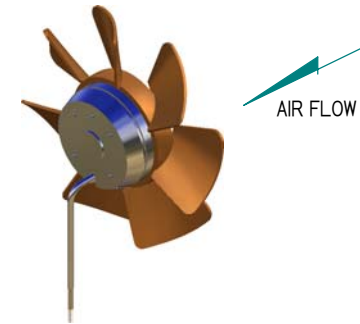
M4 THREADED MOUNTING HOLES
4 HOLES STAGGERED ABOUT
CENTRELINES & EQUALLY SPACED
ABOUT A 2.28 BOLT CIRCLE DIA.
MAX. BOLT LENGTH 5mm



AIR FLOW

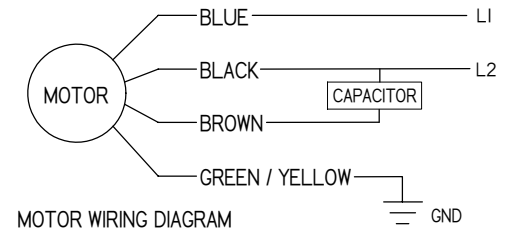


PICTORIAL LAYOUT
INLET SIDE



PICTORIAL LAYOUT
OUTLET SIDE

| IMPELLER MODEL | POWER SUPPLY | DIMENSIONS IN INCHES | | | | | | IMPELLER ROTATION | CAPACITOR MODEL |
|-------------------|-----------------|----------------------|------|------|-------|-------|------|----------------------|--------------------|
| | | A | B | C | D | E | T | | |
| R0-AMI170V-2-11 | 115/1/50-60 | 2.52 | 1.50 | 0.51 | 6.65 | 19.00 | 0.06 | CCW | M0-CAP06M-440V |
| R0-AMI200V-2-11 | 115/1/50-60 | 2.44 | 1.54 | 0.59 | 7.72 | 19.00 | 0.06 | CCW | M0-CAP06M-440V |
| R0-AMI250V-2-11 | 115/1/50-60 | 2.85 | 1.65 | 0.98 | 9.74 | 19.00 | 0.06 | CW | R0-CAP12M-440V |
| R0-AMI300V-2-11 | 115/1/50-60 | 3.78 | 1.33 | 1.08 | 11.65 | 19.00 | 0.06 | CCW | R0-CAP20M-250V |
| R0-AMI170V-2-12 | 230/1/50-60 | 2.44 | 1.50 | 0.39 | 6.65 | 19.00 | 0.06 | CCW | M0-CAP02M-440V |
| R0-AMI200V-2-12 | 230/1/50-60 | 2.44 | 1.54 | 0.59 | 7.72 | 19.00 | 0.06 | CCW | M0-CAP02M-440V |
| R0-AMI250V-2-12 | 230/1/50-60 | 2.85 | 1.65 | 0.79 | 9.74 | 19.00 | 0.06 | CW | R0-CAP04M-500V |
| R0-AMI300V-2-12 | 230/1/50-60 | 3.78 | 1.33 | 1.08 | 11.65 | 19.00 | 0.06 | CCW | R0-CAP06M-440V |



DIMENSIONS SUBJECT TO CHANGE WITHOUT NOTICE.
DRAWING NOT TO BE USED FOR CONSTRUCTION.

| | | | |
|--|-------------------|--|--|
| | | Better Airflow By Design | |
| | | NON-CASED MOTORIZED AXIAL IMPELLER | |
| 02 13 FEB 2008 JEE 01 05 MARCH 2007 JEE | | AMI 000-00-100 REVERSE FLOW SUBMITTAL | |
| REV DATE | BY J. E. EVANS | 104 DEC 2006 AMI 000-00-100 Reverse Flow Submittal | |