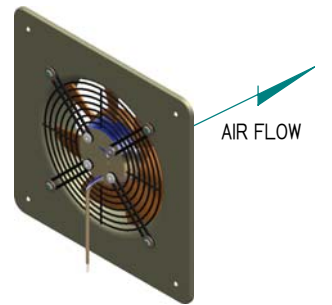
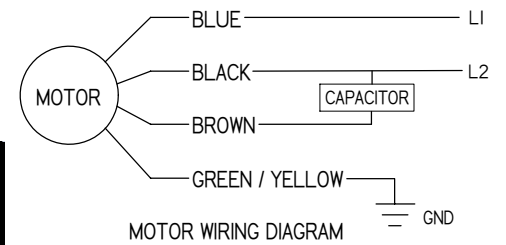


PICTORIAL LAYOUT
OUTLET SIDE



PICTORIAL LAYOUT
INLET SIDE



DIMENSIONS SUBJECT TO CHANGE WITHOUT NOTICE.
DRAWING NOT TO BE USED FOR CONSTRUCTION

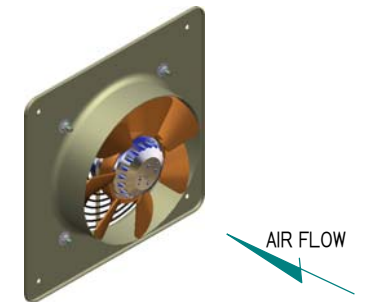
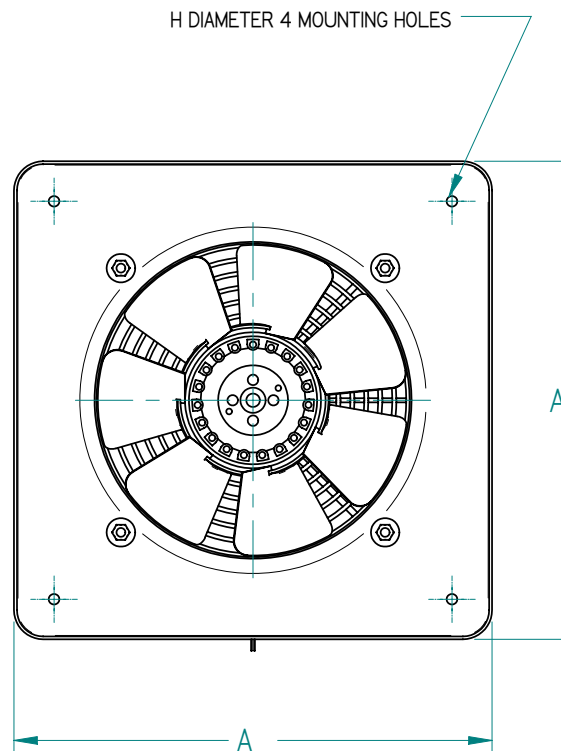
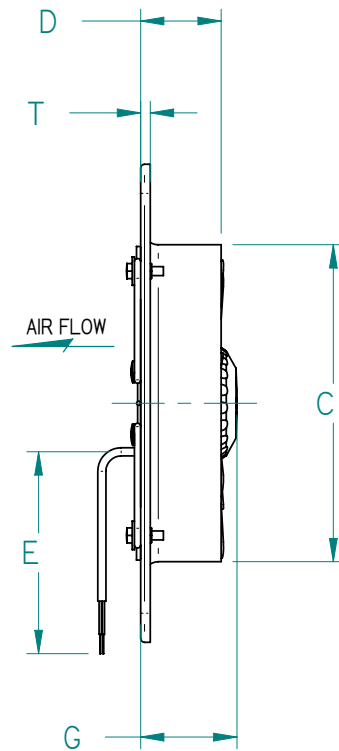
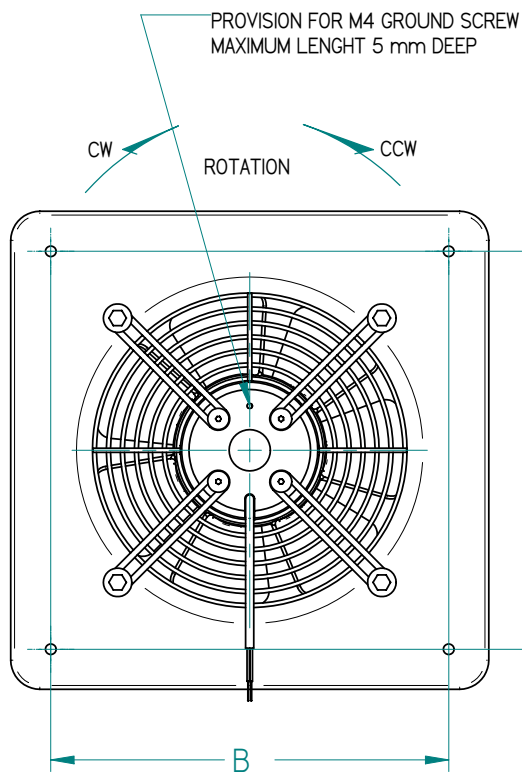
IMPELLER MODEL	POWER SUPPLY	DIMENSIONS IN INCHES								IMPELLER ROTATION	CAPACITOR MODEL
		A	B	C	D	E	G	H	T		
R0-AMP200-2-11	115/1/50-60	12.31	10.25	8.16	2.08	19.00	2.54	0.28	0.25	CCW	M0-CAP06M-440V
R0-AMP250-2-11	115/1/50-60	14.56	12.62	10.05	2.12	19.00	2.88	0.26	0.25	CW	R0-CAP12M-440V
R0-AMP300-2-11	115/1/50-60	17.00	15.00	12.05	3.18	19.00	3.79	0.26	0.25	CCW	R0-CAP20M-250V
R0-AMP200-2-12	230/1/50-60	12.31	10.25	8.16	2.08	19.00	2.54	0.28	0.25	CCW	M0-CAP02M-440V
R0-AMP250-2-12	230/1/50-60	14.56	12.62	10.05	2.12	19.00	2.88	0.26	0.25	CW	R0-CAP04M-500V
R0-AMP300-2-12	230/1/50-60	17.00	15.00	12.05	3.18	19.00	3.79	0.26	0.25	CCW	R0-CAP06M-440V

CFM
Better Airflow By Design

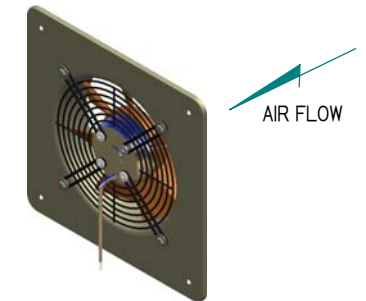
MOTORIZED AXIAL PANEL FAN

AMP 000-00-100 STANDARD FLOW SUBMITTAL

03	14 FEB 2008	JEE	
02	20 JUNE 2007	JWA	
01	05 MARCH 2007	JEE	
REV	DATE	BY	J. E. EVANS 04 DEC 2006 AMP 000-00-100 Standard Flow Submittal

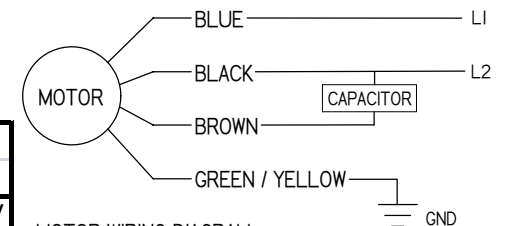


PICTORIAL LAYOUT
INLET SIDE



PICTORIAL LAYOUT
OUTLET SIDE

IMPELLER MODEL	POWER SUPPLY	DIMENSIONS IN INCHES								IMPELLER ROTATION	CAPACITOR MODEL
		A	B	C	D	E	G	H	T		
R0-AMP200V-2-11	115/1/50-60	12.31	10.25	8.16	2.08	19.00	2.54	0.28	0.25	CCW	M0-CAP06M-440V
R0-AMP250V-2-11	115/1/50-60	14.56	12.62	10.05	2.12	19.00	2.88	0.26	0.25	CW	R0-CAP12M-440V
R0-AMP300V-2-11	115/1/50-60	17.00	15.00	12.05	3.18	19.00	3.79	0.26	0.25	CCW	R0-CAP20M-250V
R0-AMP200V-2-12	230/1/50-60	12.31	10.25	8.16	2.08	19.00	2.54	0.28	0.25	CCW	M0-CAP02M-440V
R0-AMP250V-2-12	230/1/50-60	14.56	12.62	10.05	2.12	19.00	2.88	0.26	0.25	CW	R0-CAP04M-500V
R0-AMP300V-2-12	230/1/50-60	17.00	15.00	12.05	3.18	19.00	3.79	0.26	0.25	CCW	R0-CAP06M-440V



MOTOR WIRING DIAGRAM

DIMENSIONS SUBJECT TO CHANGE WITHOUT NOTICE.
DRAWING NOT TO BE USED FOR CONSTRUCTION.

01		05 MARCH 2007		JEE		BY		J.E. EVANS 04 DEC. 2006 AMP 000V-00-100 REVERSE FLOW Submittal				Better Airflow By Design	
												MOTORIZED AXIAL PANEL FAN	
										AMP000V-00-100 REVERSE FLOW SUBMITTAL			