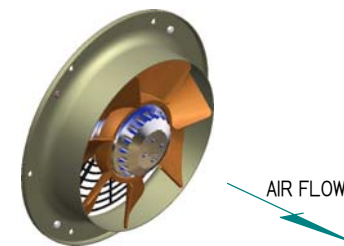
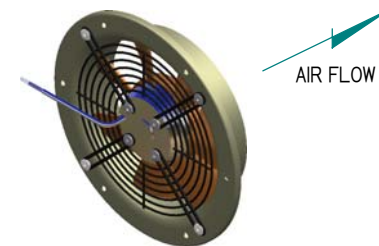


H DIAMETER 6 HOLES
EQUALLY SPACED ABOUT
B BOLT CIRCLE DIA.

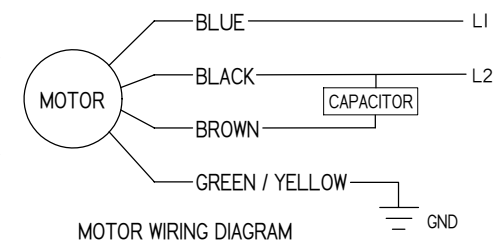


PICTORIAL LAYOUT
OUTLET SIDE



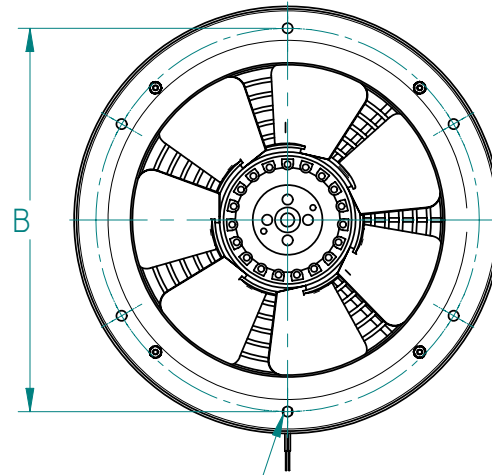
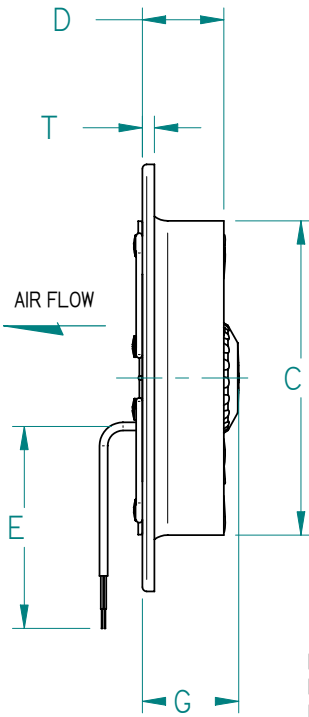
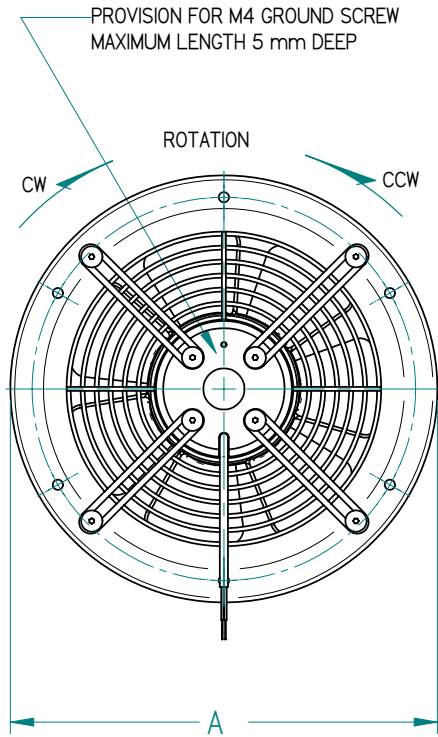
PICTORIAL LAYOUT
INLET SIDE

IMPELLER MODEL	DIMENSIONS IN INCHES								IMPELLER ROTATION	CAPACITOR MODEL
	A	B	C	D	E	G	H	T		
RO-AMR200-2-11	11.00	9.88	8.09	2.10	19.00	2.54	0.26	0.31	CCW	M0-CAP06M-440V
RO-AMR250-2-11	12.56	11.62	9.90	1.90	19.00	2.88	0.26	0.26	CW	R0-CAP12M-440V
RO-AMR300-2-11	15.62	15.00	12.05	3.30	19.00	3.79	0.34	0.44	CCW	R0-CAP20M-250V
RO-AMR200-2-12	11.00	9.88	8.09	2.10	19.00	2.54	0.26	0.31	CCW	M0-CAP02M-440V
RO-AMR250-2-12	12.56	11.62	9.90	1.90	19.00	2.88	0.26	0.26	CW	M0-CAP04M-500V
RO-AMR300-2-12	15.62	15.00	12.05	3.30	19.00	3.79	0.34	0.44	CCW	M0-CAP06M-440V

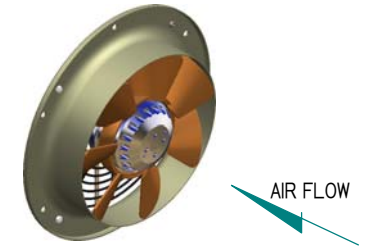


DIMENSIONS SUBJECT TO CHANGE WITHOUT NOTICE.
DRAWING NOT TO BE USED FOR CONSTRUCTION

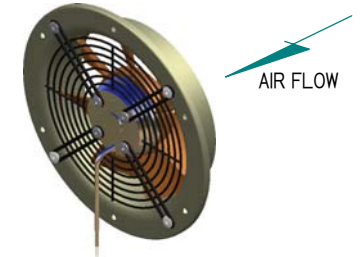
02 01		25 FEB 2008 05 MARCH 2007		JEE JEE		BY		J. E. EVANS 04 DEC 2006 AMR 000-00-100 General Submittal.dft	
								MOTORIZED AXIAL RING FAN AMR 000-00-100 GENERAL SUBMITTAL	



H DIAMETER 6 HOLES
EQUALLY SPACED ABOUT
B BOLT CIRCLE DIA.

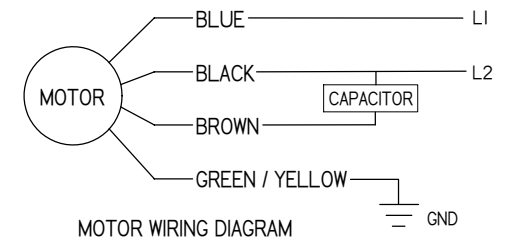


PICTORIAL LAYOUT
INLET SIDE



PICTORIAL LAYOUT
OUTLET SIDE

IMPELLER MODEL	DIMENSIONS IN INCHES								IMPELLER ROTATION	CAPACITOR MODEL
	A	B	C	D	E	G	H	T		
RO-AMR200V-2-11	11.00	9.88	8.09	2.10	19.00	2.54	0.26	0.31	CCW	M0-CAP06M-440V
RO-AMR250V-2-11	12.56	11.62	9.90	1.90	19.00	2.88	0.26	0.26	CW	R0-CAP12M-440V
RO-AMR300V-2-11	15.62	15.00	12.05	3.30	19.00	3.79	0.34	0.44	CCW	R0-CAP20M-250V
RO-AMR200V-2-12	11.00	9.88	8.09	2.10	19.00	2.54	0.26	0.31	CCW	M0-CAP02M-440V
RO-AMR250V-2-12	12.56	11.62	9.90	1.90	19.00	2.88	0.26	0.26	CW	M0-CAP04M-500V
RO-AMR300V-2-12	15.62	15.00	12.05	3.30	19.00	3.79	0.34	0.44	CCW	M0-CAP06M-440V



MOTOR WIRING DIAGRAM

DIMENSIONS SUBJECT TO CHANGE WITHOUT NOTICE.
DRAWING NOT TO BE USED FOR CONSTRUCTION.

		MOTORIZED AXIAL RING FAN	
		AMR 000-00-100 GENERAL SUBMITTAL	
02 01	25 FEB 2008 05 MARCH 2007	JEE JEE	J. E. EVANS 04 DEC 2006 AMR 000-00-100 General Submittal.dft