

PRE-WIRED
WITH 120V POWER CORD



AXC In-Line Duct Fans

AXC IN-LINE DUCT FANS

Elicent AXC in-line centrifugal duct fans are ideal air movers for residential, commercial and light industrial applications. The quiet and efficient backward-curved impeller is capable of developing significant pressure, and the in-line configuration simplifies installation. The unique motor design, combined with high quality materials and workmanship, results in a truly versatile fan.

DESIGN FEATURES

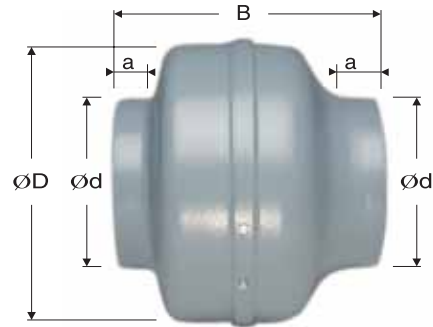
- Pre-wired with 120V power cord, for simple installation.
- Fan speed is infinitely variable with the addition of a solid-state speed control.
- Fans may be used for supply or exhaust applications.
- Fans may be mounted in any position.
- Durable “external rotor motor” provides superior motor cooling, and extends the fan’s temperature capability to 60°C/140°F.
- Backward-curved blades produce the lowest possible sound, develop ample static pressure, and will not stall or overload the motor at low airflow.
- Heavy duty, drawn steel housing.
- Baked epoxy finish inside and outside.
- Die cast aluminum motor body provides excellent heat dissipation.
- Ball bearing motors are permanently lubricated for maintenance-free operation.
- Industrial quality class “B” motor insulation.
- Motors are provided with automatic reset thermal overload protection.
- All sizes in stock and available for immediate shipment.

HELPFUL TIPS

To calculate fan requirements:

$$\frac{\text{Cubic feet of room} \times \text{required air changes/hour}}{60 \text{ minutes/hour}} = \text{Minimum cfm}$$

e.g. Room size 20 x 20 x 9 = 3600 cu. ft.
 Required air changes/hour = 6
 Minimum cfm required = (3600x6) ÷ 60 = 360 cfm



PERFORMANCE DATA

MODEL	WATTS	AMPS	RPM	dBA	CUBIC FEET PER MINUTE											
					0"SP	1/8"SP	1/4"SP	3/8"SP	1/2"SP	3/4"SP	1"SP	1 1/4"SP	1 1/2"SP	2"SP	3"SP	
AXC100A-C	55	0.57	1750	44	106	99	93	87	80	68	55	39				
AXC100B-C	85	0.69	2400	54	152	146	139	131	124	106	82	66	33			
AXC125A-C	62	0.58	1650	36	159	127	100	82	68	34						
AXC125B-C	85	0.70	2350	53	212	185	162	145	128	79	32					
AXC150A-C	80	0.75	2500	54	247	225	202	178	161	132	92	50				
AXC150B-C	72	0.73	2580	55	309	271	237	202	171	132	107	88	15			
AXC200A-C	72	0.72	2550	56	418	397	366	339	306	233	174	110	56			
AXC200B-C	160	1.52	2700	60	636	618	557	521	494	412	353	271	190	78		
AXC250-C	250	1.94	2650	63	695	659	610	541	500	359	279	197	125	41		
AXC300A-C	190	2.07	2650	68	865	824	765	736	677	553	459	365	283	124		
AXC300B-C	345	2.78	2765	74	1198	1165	1052	981	945	796	615	453	363	178	65	
AXC355A-C	334	2.88	1360	57	1325	1220	1105	985	860	688	550	400	238			
AXC355B-C	830	7.81	2900	77	1400	1375	1360	1335	1285	1220	1135	1075	1000	880	675	

DIMENSIONAL DATA

MODEL	D (in.)	d (in.)	a (in.)	B (in.)	WEIGHT (lbs)
AXC100A-C	9.5	3.9	1.0	8.3	6.5
AXC100B-C	9.5	3.9	1.0	8.3	6.5
AXC125A-C	9.5	4.8	1.0	8.3	6.5
AXC125B-C	9.5	4.8	1.0	8.3	6.5
AXC150A-C	9.5	5.8	1.0	8.3	6.5
AXC150B-C	13.2	5.8	1.0	9.1	11.0
AXC200A-C	13.2	7.8	1.0	9.1	11.0
AXC200B-C	13.2	7.8	1.0	9.1	11.0
AXC250-C	13.2	9.8	1.0	9.1	11.0
AXC300A-C	15.9	11.8	1.2	11.8	18.0
AXC300B-C	15.9	11.8	1.2	11.8	20.0
AXC355A-C	19.0	14.0	1.5	15.7	26.0
AXC355B-C	19.0	14.0	1.5	15.7	31.0

AVAILABLE ACCESSORIES



Adjustable grille used for supply or exhaust



Backdraft damper with spring return



Mounting clamps for use with rigid duct



Solid state variable speed control



Mounting brackets included at no charge



Continental Fan Manufacturing Inc.
 203 Eggert Road, Buffalo, NY 14215
 Tel: 716-842-0670 Toll: 800-779-4021
 Fax: 716-842-0611
 www.continentalfan.com
 email: cfm@continentalfan.com



Aeroflo Inc.
 12-205 Matheson Blvd. East
 Mississauga, Ontario, Canada L4Z 3E3
 Tel: 905-890-6192 Toll: 800-779-4021
 Fax: 905-890-6193
 www.aeroflo.com email: aeroflo@aeroflo.com

Distributed By: