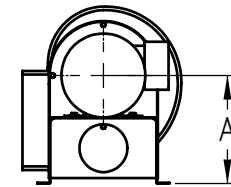
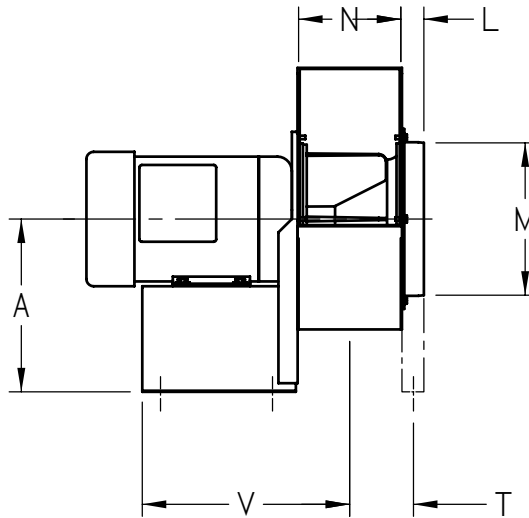
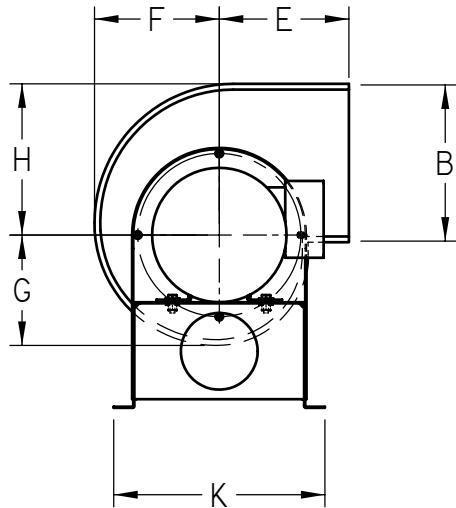
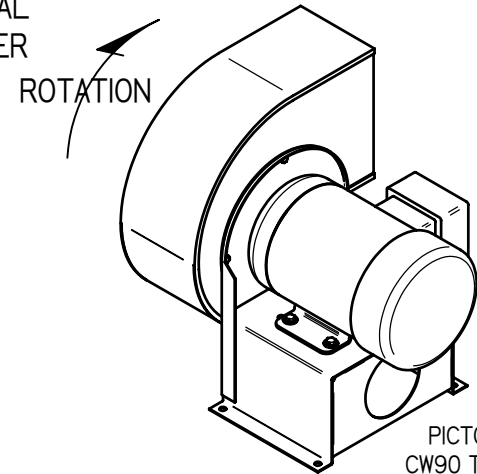
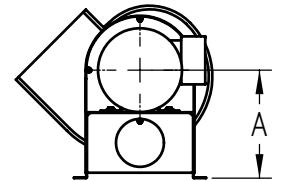


NOTE:
 BLOWER SUPPLIED AS CW270 CLOCKWISE BOTTOM HORIZONTAL
 AS STANDARD POSITION WHEN NOT SPECIFIED ON SALES ORDER

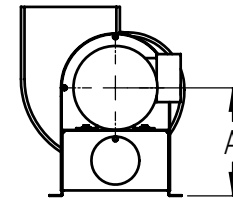
4 MOUNTING HOLES SIZE KRD08 THRU KRD11
 6 MOUNTING HOLES SIZE KRD12 & KRD14



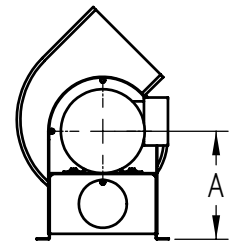
CW 270
 BOTTOM HORIZONTAL
 STANDARD POSITION
 WHEN NOT SPECIFIED
 ON SALES ORDER



CW315
 BOTTOM ANGULAR UP



CW 360
 VERTICAL UP BLAST



CW 45
 TOP ANGULAR UP

MODEL	DIMENSIONS IN INCHES																MOTOR FRAME
	A	B	E	F	G	H	J	K	L	M	N	R	S	T	V	X	
KRD08	9.00	8.25	6.75	6.50	5.75	7.88	10.00	11.00	1.14	8.00	5.44	7.00	3.30	--	10.80	3.86	56
KRD09	9.88	10.75	7.12	7.81	6.87	9.12	11.25	12.13	1.05	9.00	6.62	7.00	3.90	--	11.40	4.36	56
KRD11	11.75	11.75	8.12	9.12	8.00	10.62	13.75	14.75	1.13	10.00	8.00	7.50	4.90	--	13.15	5.18	56
KRD12	17.00	13.25	10.50	11.50	10.12	13.00	14.73	16.38	1.62	13.13	9.63	8.64	5.68	5.68	15.20	6.43	143T
KRD14	17.00	14.50	11.31	12.69	11.24	14.50	16.00	17.75	1.62	14.50	10.25	8.88	5.93	5.93	15.62	6.74	145T

DIMENSIONS SUBJECT TO CHANGE WITHOUT NOTICE
 DRAWING NOT TO BE USED FOR CONSTRUCTION.

CFM

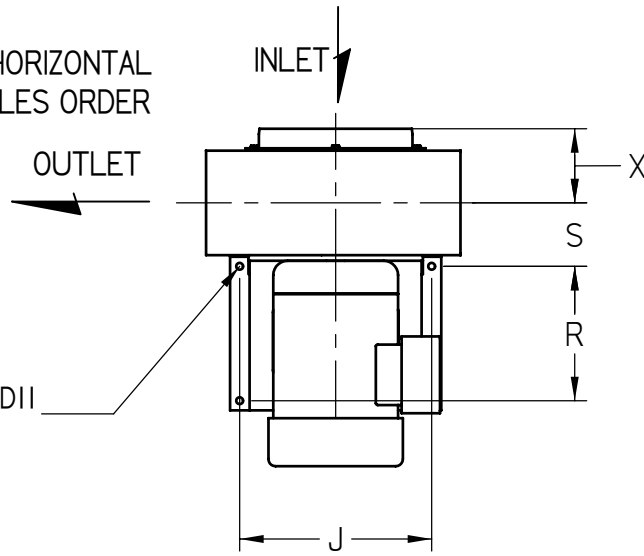
Better Airflow By Design

RADIAL BLADE CENTRIFUGAL BLOWER

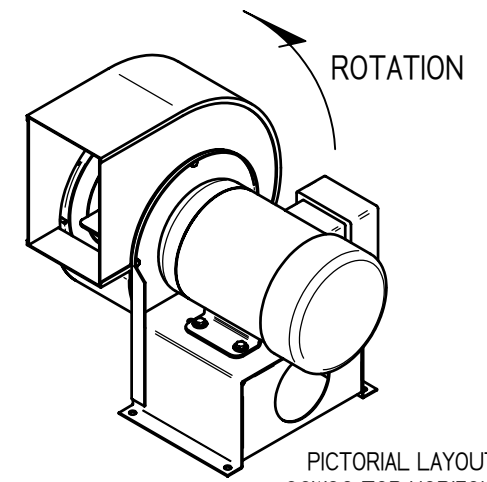
CLOCKWISE SUBMITTAL

REV	DATE	BY	J. E. EVANS	DATE	26 MAR 2007	KRD000-00-100.dft
-----	------	----	-------------	------	-------------	-------------------

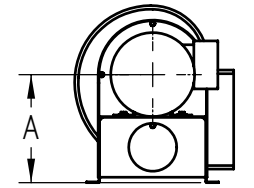
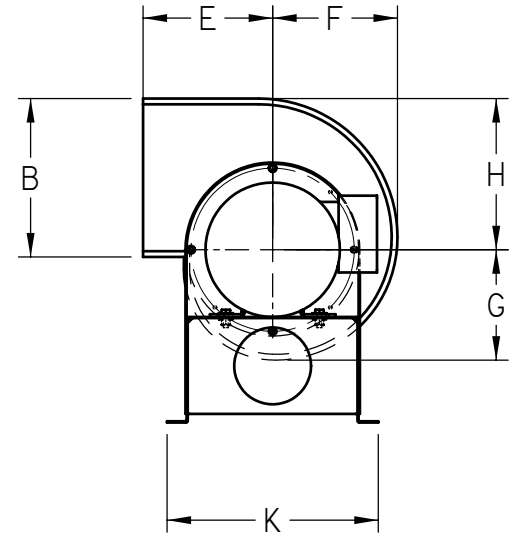
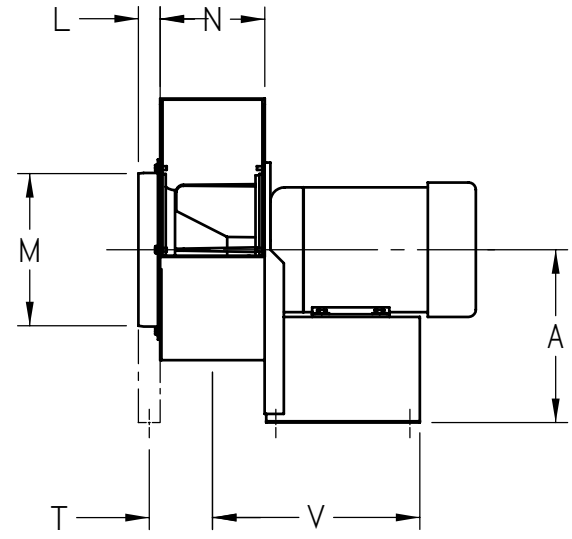
NOTE:
 BLOWER SUPPLIED AS CW270 CLOCKWISE BOTTOM HORIZONTAL
 AS STANDARD POSITION WHEN NOT SPECIFIED ON SALES ORDER



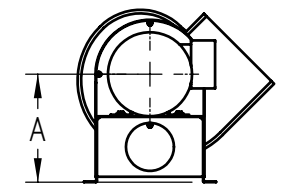
4 MOUNTING HOLES SIZE KRD08 THRU KRD11
 6 MOUNTING HOLES SIZE KRD12 & KRD14



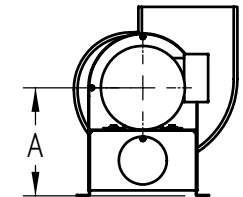
PICTORIAL LAYOUT
 CCW90 TOP HORIZONTAL



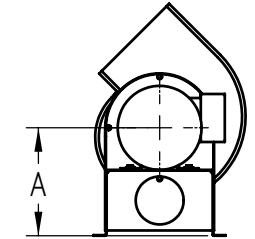
CCW 270
 BOTTOM HORIZONTAL



CCW315
 BOTTOM ANGULAR UP




CCW 360
 VERTICAL UP BLAST



CCW 45
 TOP ANGULAR UP

MODEL	DIMENSIONS IN INCHES																MOTOR FRAME
	A	B	E	F	G	H	J	K	L	M	N	R	S	T	V	X	
KRD08	9.00	8.25	6.75	6.50	5.75	7.88	10.00	11.00	1.14	8.00	5.44	7.00	3.30	--	10.80	3.86	56
KRD09	9.88	10.75	7.12	7.81	6.87	9.12	11.25	12.13	1.05	9.00	6.62	7.00	3.90	--	11.40	4.36	56
KRD11	11.75	11.75	8.12	9.12	8.00	10.62	13.75	14.75	1.13	10.00	8.00	7.50	4.90	--	13.15	5.18	56
KRD12	17.00	13.25	10.50	11.50	10.12	13.00	14.73	16.38	1.62	13.13	9.63	8.64	5.68	5.68	15.20	6.43	143T
KRD14	17.00	14.50	11.31	12.69	11.24	14.50	16.00	17.75	1.62	14.50	10.25	8.88	5.93	5.93	15.62	6.74	145T

DIMENSIONS SUBJECT TO CHANGE WITHOUT NOTICE
 DRAWING NOT TO BE USED FOR CONSTRUCTION.



Better Airflow By Design
 RADIAL BLADE CENTRIFUGAL BLOWER
 COUNTER-CLOCKWISE SUBMITTAL

REV	DATE	BY	J. E. EVANS	DATE	26 MAR 2007	KR000-00-100.dft
-----	------	----	-------------	------	-------------	------------------