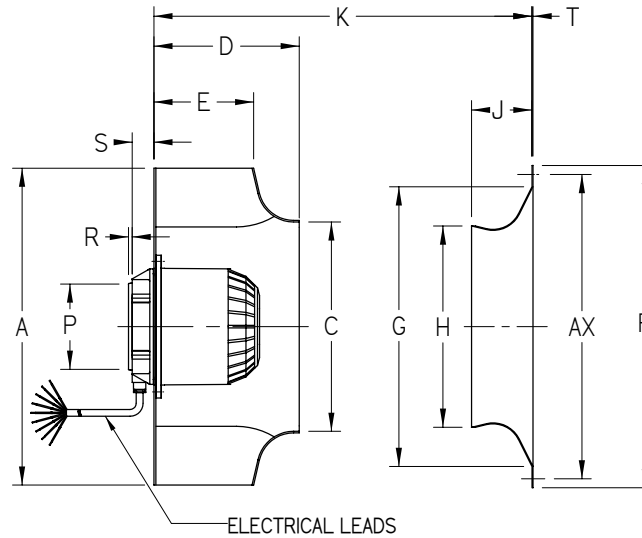
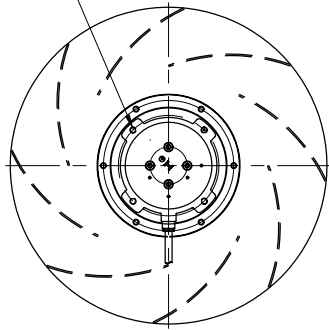
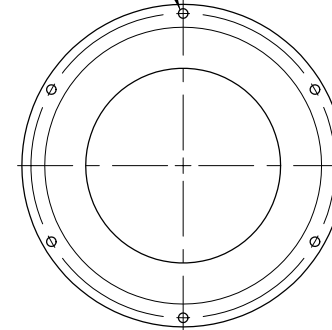


'V' THREADED HOLES
FOR 'U' MOUNTING BOLTS
EQUALLY SPACED ABOUT
'M' BOLT CIRCLE DIAMETER



'X' DIAMETER 'N' HOLES
EQUALLY SPACED ABOUT
'AX' BOLT CIRCLE DIAMETER



MOTORIZED IMPELLER

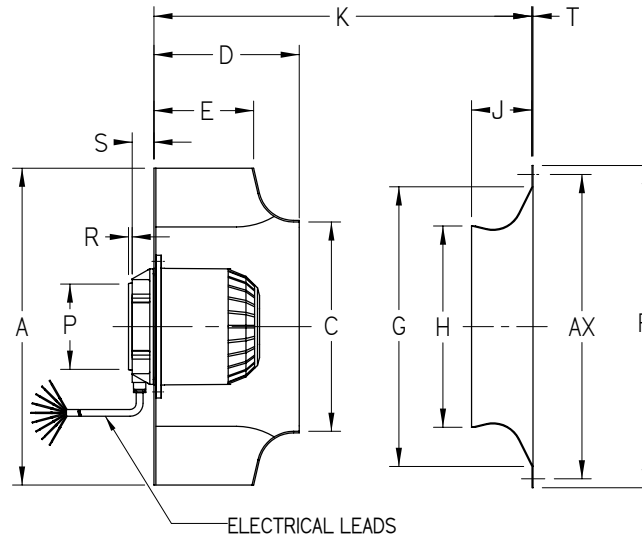
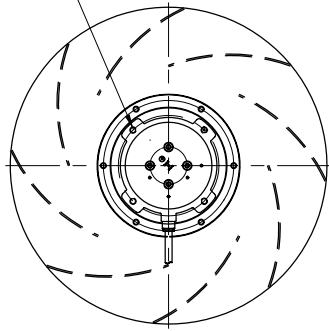
INLET CONE

MOTORIZED IMPELLER DIMENSIONS												INLET CONE DIMENSIONS								
PART NUMBER	A	C	D	E	K	M	U	V	P	R	S	PART NUMBER	F	G	H	J	N	T	X	AX
RO-RCM315	1250	866	570	400	788	638	MI0	4	549	023	1.85	T0-ICP315	1504	1260	803	256	6	0.12	0.50	139
RO-RCM355	1408	958	52	321	763	638	MI0	4	549	023	1.85	T0-ICP355	1661	1417	905	291	8	0.12	0.50	1555
RO-RCM500	2008	1327	921	610	1270	638	MI0	4	551	024	1.38	RO-ICS500	2043	1772	1220	384	8	0.06	0.47	1929
RO-RCM560	2244	1484	1031	685	1406	748	MI2	4	630	028	1.61	RO-ICS560	2220	1969	1370	413	8	0.06	0.43	2126
RO-RCM630	2520	1669	1150	768	1530	748	MI2	4	630	028	1.57	RO-ICS630	2520	2205	1535	447	8	0.06	0.55	2402
RO-RCM710	2827	1724	1154	728	1636	748	MI2	8	630	028	1.34	RO-ICS710	2795	2480	1724	531	8	0.06	0.55	2654

DIMENSIONS SUBJECT TO CHANGE WITHOUT NOTICE
DRAWING NOT TO BE USED FOR CONSTRUCTION

		CFM Better Airflow By Design	
		MOTORIZED IMPELLERS & CONES	
		GENERAL OUTLINE SUBMITTAL	
01	27 JUNE 2007	JEE	
REV	DATE	BY	J. E. EVANS 16 SEPT. 2005 RCM 000-00-100 Submittal.dft

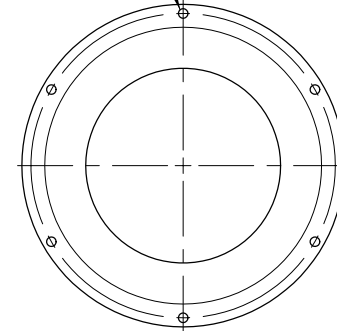
'V' THREADED HOLES
FOR 'U' MOUNTING BOLTS
EQUALLY SPACED ABOUT
'M' BOLT CIRCLE DIAMETER



ELECTRICAL LEADS

MOTORIZED IMPELLER

'X' DIAMETER 'N' HOLES
EQUALLY SPACED ABOUT
'AX' BOLT CIRCLE DIAMETER



INLET CONE

MOTORIZED IMPELLER DIMENSIONS											INLET CONE DIMENSIONS									
PART NUMBER	A	C	D	E	K	M	U	V	P	R	S	PART NUMBER	F	G	H	J	N	T	X	AX
RO-RCM315	1250	866	570	400	788	638	MI0	4	549	023	1.85	T0-ICP315	1504	1260	803	256	6	0.12	0.50	139
RO-RCM355	1408	958	52	321	763	638	MI0	4	549	023	1.85	T0-ICP355	1661	1417	905	291	8	0.12	0.50	1555
RO-RCM500	2008	1327	921	610	1270	638	MI0	4	551	024	1.38	RO-ICS500	2043	1772	1220	384	8	0.06	0.47	1929
RO-RCM560	2244	1484	1031	685	1406	748	MI2	4	630	028	1.61	RO-ICS560	2220	1969	1370	413	8	0.06	0.43	2126
RO-RCM630	2520	1669	1150	768	1530	748	MI2	4	630	028	1.57	RO-ICS630	2520	2205	1535	447	8	0.06	0.55	2402
RO-RCM710	2827	1724	1154	728	1636	748	MI2	8	630	028	1.34	RO-ICS710	2795	2480	1724	531	8	0.06	0.55	2654