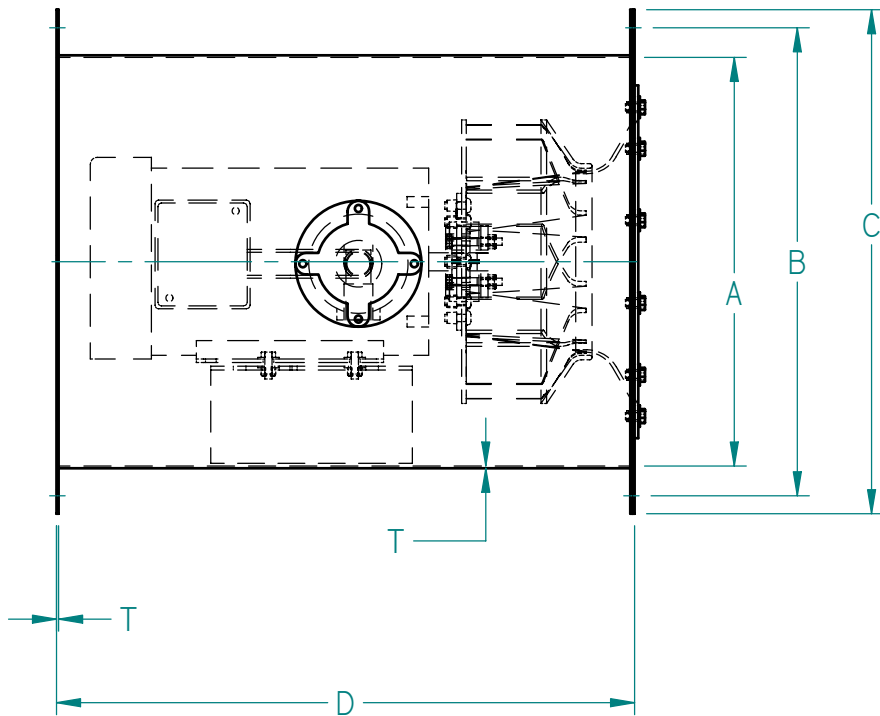
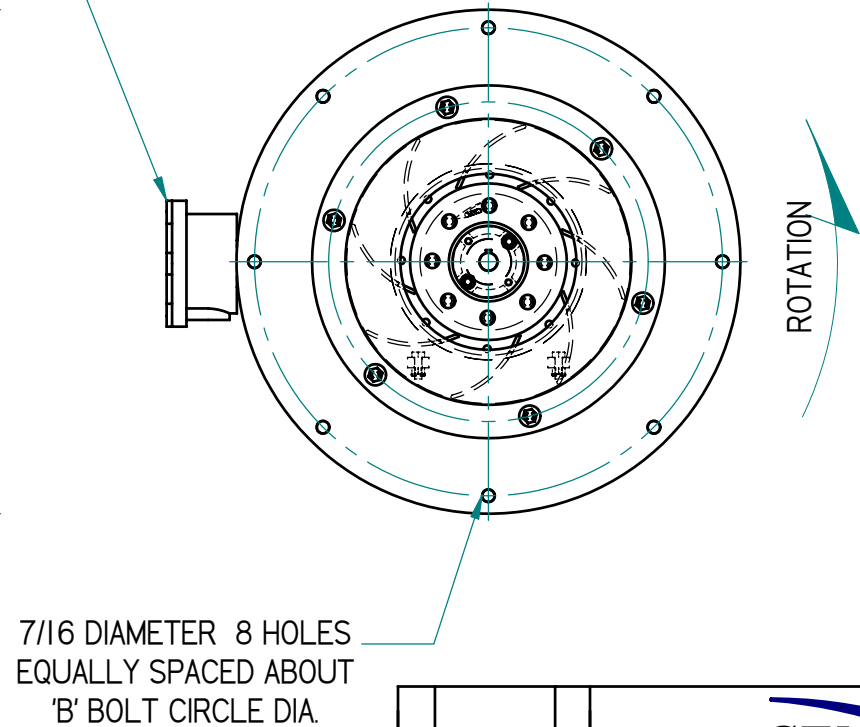
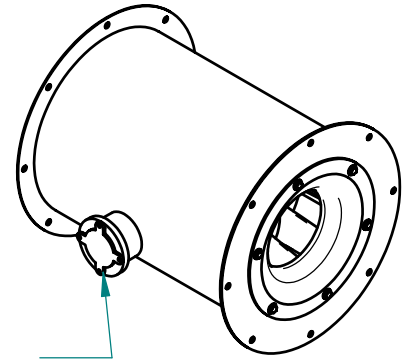


SIZE	A	B	C	D	T
TID200	12.19	13.75	15.00	18	0.075
TID225	14.19	16.25	17.50	20	0.075
TID250	14.19	16.25	17.50	20	0.075
TID280	16.19	18.00	19.50	21	0.075
TID315	18.19	20.75	22.00	24	0.105
TID355	21.19	23.25	24.50	26	0.105
TID400	24.19	26.25	27.50	29	0.105
TID450	24.19	26.25	27.50	29	0.105

**AIR FLOW  
DIRECTION**

**OPTIONAL**  
EXTENDED MOTOR LEADS TO  
ELECTRICAL JUNCTION BOX  
MOUNTED ON HOUSING EXTERIOR



7/16 DIAMETER 8 HOLES  
EQUALLY SPACED ABOUT  
'B' BOLT CIRCLE DIA.

DIMENSIONS SUBJECT TO CHANGE WITHOUT NOTICE  
DRAWING NOT TO BE USED FOR CONSTRUCTION.

		<b>CFM</b>	
		Better Airflow By Design	
		TID INLINE CENTRIFUGAL	
		CUSTOMER SUBMITTAL OUTLINE	
04 03	06 JULY 2007 02 MAY 2005	JEE JEE	TITLE
REV	DATE	BY	J. E. EVANS DATE 02 MAR. 2000
			TID 000-00-100